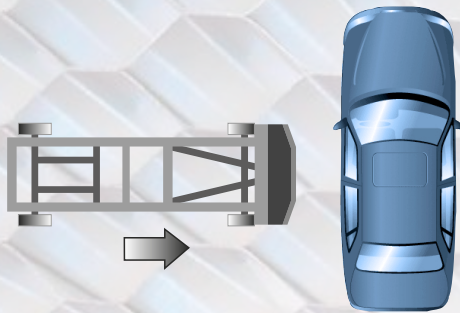


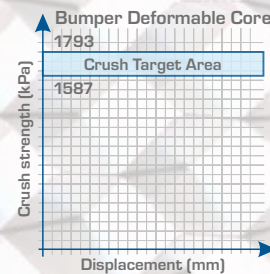
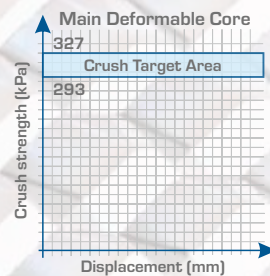
Description

Based on the Aluminum Honeycomb technology, the AFL IIHS side impact barrier (TP214D Appendix C) is used by car manufacturers and test laboratories worldwide for the assessment of motor vehicle passenger's protection in case of side impact collision according to the American IIHS protocol.

The side-impact test consists in a 1500 kg trolley impact on the driver's side of the test vehicle. The trolley is equipped with AFL IIHS deformable barrier, which aims at simulating the front of the impactor vehicle. The impact speed with the vehicle is 50 km/h. 2 SID-IIs dummies (driver & rear left passenger) are used to evaluate the injuries in this type of crash



Technical properties



A complete testing procedure for certification of aluminum honeycomb is performed in-house according to the NHTSA Lab Test Procedure for Dynamic Side Impact Protection: TP214D Appendix C. The side impact barrier materials having crush strength of 310 kPa +/- 17 kPa for the main block and 1690 kPa +/- 103 kPa for the bumper block.

The AFL IIHS side impact barrier dimensions are :

- Width = 1676 +/- 6 mm
- Height = 559 +/- 6 mm
- Depth at Bumper Height = 483 +/- 6 mm
- Depth at upper impact face = 381 +/- 6 mm

Main honeycomb block

- Alloy 5052
- Cell Size: 19.1 mm

Bumper element Block

- Alloy 3003
- Cell Size: 6.4 mm

Backing sheet

- Aluminum 5052 H4
- T 0.813 mm

Cladding sheet

- Aluminum 5052 H4
- T 0.8 mm

Bumper facing sheet

- Aluminum 2024 T3
- T 3.2 mm

Adhesive

- Two-part polyurethane/resin with hardener

CERTIFICATIONS

The AFL IIHS side impact barrier is certified for USA-IIHS tests and manufactures according to the NHTSA Lab Test Procedure for Dynamic Side Impact Protection: TP214D Appendix C.

Quality assurance

All products proposed by AFL Honeycomb Structures are designed and manufactured in the general pattern of our Quality Management System which fully complies with the ISO 9001 : V2008 standard.

Our AFAQ accreditation guarantees the total quality and traceability of our production.

Packaging and delivery

Packaging : Individual cardboard crate : 1780 x 960 x 650 mm – 36 kg
Permanent stock available, delivery unit is available under 15 days on request within European Community territory
Blue anti reflective paint as standard finishing, possibility of customised painting on-demand.



Vehicles **Safety**, our daily **priority**



AFL Honeycomb STRUCTURES

22/24, route de Joigny
45320 Courtenay - France
Phone: +33(0)2 38 89 14 00
Fax: +33(0)2 38 89 12 30
www.afl-crashtestbarriers.com
Mail: contact@afl-honeycomb.com

World leader for technologies using
aluminium honeycomb structures

We have the solution that meets your passive
safety requirements... and if we don't, we'll create one!